

RS-232 Serial Port Adapter for ANTARIS 4 Evaluation Kits

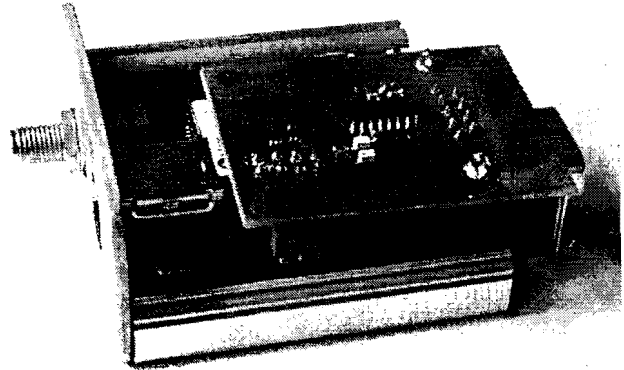
GPS.G4-EK-06002, Feb 24, 2006

1 Overview

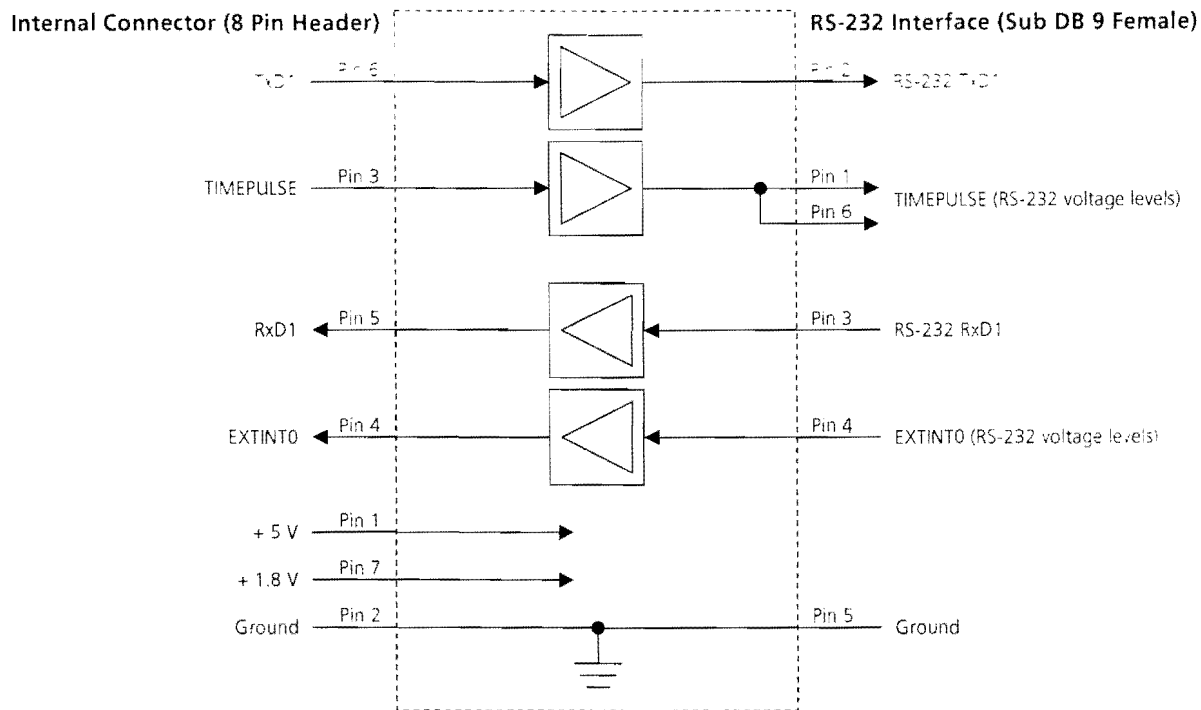
The Serial Port Adapter provides a RS-232 compatible serial interface which allows in-lab use of Serial Port 1 EXTINT0 and TIMEPULSE. This is particularly useful to connect the AEK-4P / 4H / 4T Evaluation Kit to embedded host systems or to desktop computers.

This Serial Port Adapter shall be used when downloading new firmware into the ANTARIS 4 Evaluation Kits.

To connect it: Remove the top and rear cover and insert the Serial Board Adapter as illustrated on the right. The female DB9 connector faces to the rear side. After mounting, the top cover may be put on again.



2 Block Diagram



The specifications in this document are subject to change at u-blox's discretion. u-blox assumes no responsibility for any claims or damages arising out of the use of this document, or from the use of modules based on this document, including but not limited to claims or damages based on infringement of patents, copyrights or other intellectual property rights. u-blox makes no warranties, either expressed or implied with respect to the information and specifications contained in this document. u-blox does not support any applications in connection with active weapon systems, ammunition, life support and commercial aircraft. Performance characteristics listed in this document are estimates only and do not constitute a warranty or guarantee of product performance.

The copying, distribution and utilization of this document as well as the communication of its contents to others without expressed authorization is prohibited. Offenders will be held liable for the payment of damages. All rights reserved, in particular the right to carry out patent, utility model and ornamental design registrations.